

# DH-HAC-HDW1801TLM-IL-A

## 4K Smart Dual Light HDCVI Fixed-focal Eyeball Camera



### System Overview

The Lite Series is a great choice for consumers looking for high quality monitoring products at a reasonable price. Its low cost and high performance make it ideal for residential areas and SMB solutions. This series is equipped with a wide range of technologies, such as full-color and starlight, providing various solutions for different scenarios.

### Functions

#### Wide Dynamic Range

With its advanced Wide Dynamic Range technology (WDR), the camera captures highly detailed images and produces high-definition recordings in high-contrast lighting conditions, and in scenes with backlighting or shadows.

#### Broadcast-quality Audio

Audio signal transmission over coaxial cables is supported by the HDCVI camera. It adopts a unique audio processing and transmission technology that restores source audio and eliminates noise, ensuring the quality and reliability of the audio information that is collected. This becomes important for video surveillance applications that use audio information as a type of supplementary evidence.

#### Smart Dual Light

With its smart dual light mechanism, the camera automatically turns on the white light when Perimeter Protection/SMD Plus function of AI XVR detects a target in the rule area to capture clear, vivid images. When the target leaves the rule area, the camera automatically switches over from the white light to the IR light to significantly reduce light pollution.

#### Super Adapt

With its intelligent algorithm, the camera automatically adjusts its parameters to provide optimal performance and vivid images.

\* The parameters and datasheets below can only be applied to 1801-IL series.  
\* In order to use the Smart Dual Light HDCVI camera, the firmware of XVR must be upgraded to V4.001.0000004.1.R.220323 or later version.

- Max. 15 fps@4K.
- 120 dB true WDR, 3D NR.
- Smart Dual Light.
- 20 m illumination distance.
- Super Adapt.
- Built-in MIC.
- 3.6 mm fixed lens (2.8 mm optional).
- CVI/CVBS/AHD/TVI switchable.
- IP67, 12 VDC.



#### Advanced 3DNR

Dahua's advanced 3DNR technology reduces image noise with little to no impact on image sharpness, especially in poor lighting conditions. It detects the noise, and compares the sequential frames to effectively reduce the noise. It also makes efficient use of bandwidth, saving on storage space.

#### Protection (IP67, Wide Voltage)

IP67: The camera passed a series of rigorous dust and immersion tests. Its enclosure is both dust-proof and waterproof, and can function normally while being immersed in 1 m deep water for up to 30 minutes. Wide voltage: The camera has  $\pm 30\%$  input voltage tolerance (for some power supplies) and a wide voltage range, making it suitable for a variety of outdoor scenarios.

#### 4 Signals over 1 Coaxial Cable

HDCVI technology supports 4 signals (video, audio\*, data and power) which are simultaneously transmitted over a coaxial cable. Dual-way data transmission allows the HDCVI camera to interact with the XVR to perform various actions such as sending control signals and triggering alarms. HDCVI technology also supports PoC, which makes the camera easy and quick to install.

\* Audio input is available for select HDCVI camera models.

#### Long Distance Transmission

HDCVI technology provides long distance transmission in real time without transmission loss. It supports transmission distances up to 700 m for 2-MP/5-MP/8-MP HD videos through coaxial cables, and up to 300 m through UTP cables. The results were obtained and verified through rigorous testing in Dahua's test laboratory.

### Technical Specification

#### Camera

Image Sensor	4K CMOS
Max. Resolution	3840 (H) × 2160 (V)
Scanning System	Progressive
Electronic Shutter Speed	PAL: 1/25 s~1/100000 s NTSC: 1/30 s~1/100000 s
Min. Illumination	0.01 lux@F2.0 (Color, 30 IRE) 0.001 lux@F2.0 (B/W, 30 IRE) 0 lux (Illuminator on)
S/N Ratio	>65 dB
Illumination Distance	IR: 20 m (65.62 ft) Warm light: 20 m (65.62 ft)
Illuminator On/Off Control	Auto/Manual
Illuminator Number	1 (Warm light); 1 (IR light)
Pan/Tilt/Rotation Range	Pan: 0°~360° Tilt: 0°~78° Rotation: 0°~360°

#### Lens

Lens Type	Fixed-focal				
Lens Mount	M12				
Focal Length	2.8 mm; 3.6 mm				
Max. Aperture	F2.0				
Field of View	2.8 mm: H: 106°; V: 56°; D: 125° 3.6 mm: H: 88°; V: 46°; D: 105°				
Iris Control	Fixed				
Close Focus Distance	2.8 mm: 1.3 m (4.27 ft) 3.6 mm: 1.9 m (6.23 ft)				
DORI Distance	Lens	Detect	Observe	Recognize	Identify
	2.8 mm	88 m (288.71 ft)	35.2 m (115.49 ft)	17.6 m (57.74 ft)	8.8 m (28.87 ft)
	3.6 mm	106.7 m (350.07 ft)	42.7 m (140.09 ft)	21.3 m (69.88 ft)	10.7 m (35.10 ft)
	*DORI (Detect, Observe, Recognize, Identify) is a standard system (EN-62676-4) for defining the ability of a person viewing the video to distinguish persons or objects within a covered area. The numbers in this table do not reflect intelligent function distances. For intelligent function distances, refer to installation and commissioning manual/project design tool.				

#### Video

Video Frame Rate	CVI: PAL: 4K@15 fps; 5M@25 fps; 4M@25 fps; 1080p@25 fps NTSC: 4K@15 fps; 5M@25 fps; 4M@30 fps; 1080p@30 fps AHD: PAL: 4K@15 fps NTSC: 4K@15 fps TVI: PAL: 4K@15 fps NTSC: 4K@15 fps CVBS: PAL: 960H NTSC: 960H
------------------	-------------------------------------------------------------------------------------------------------------------------------------------------------------------------------------------------------------------------------------------------

Resolution	4K (3840 × 2160); 5M (2880 × 1620); 4M (2560 × 1440); 1080p (1920 × 1080); 960H (960 × 576/960 × 480)
Day/Night	Auto(ICR)/Color/B/W
BLC	BLC; HLC; WDR; HLC-Pro
WDR	120 dB
White Balance	Auto; Area white balance
Gain Control	Auto/Manual
Noise Reduction	3D NR
Illumination Mode	Smart IR&WL; WL Mode; IR Mode
Defog	Electronic defog
Mirror	Yes
Privacy Masking	Off/On (8 areas, rectangle)

#### Certification

Certifications	CE-LVD: EN 62368-1; CE-EMC: EN 55032; EN 55035; FCC: 47 CFR FCC Part 15, Subpart B; UL: UL62368-1 + CAN/CSA C22.2 No. 62368-1-14
----------------	-------------------------------------------------------------------------------------------------------------------------------------------

#### Port

Video Output	Video output choices of CVI/TVI/AHD/CVBS by one BNC port
Audio Input	One channel built-in MIC

#### Power

Power Supply	12 VDC ± 30%
Power Consumption	Max 4.2 W (12 VDC, LED on)

#### Environment

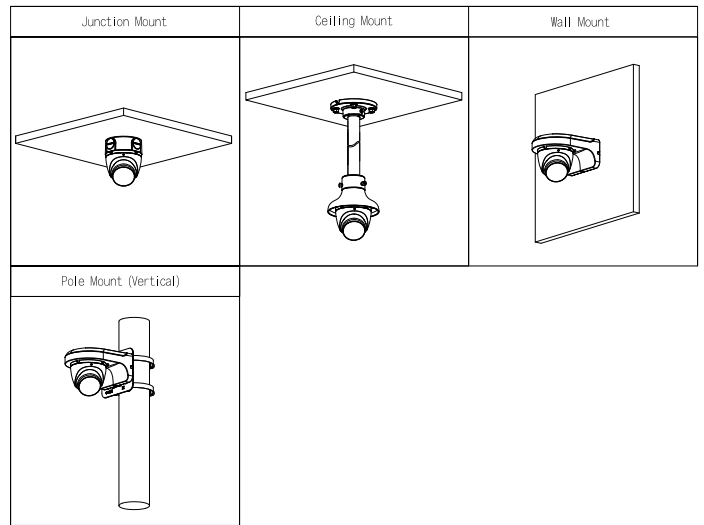
Operating Temperature	-40 °C to +60 °C (-40 °F to +140 °F)
Operating Humidity	<95% (RH), non-condensing
Storage Temperature	-40 °C to +60 °C (-40 °F to +140 °F)
Storage Humidity	<95% (RH), non-condensing
Protection	IP67
Anti-corrosion Level	Low

#### Structure

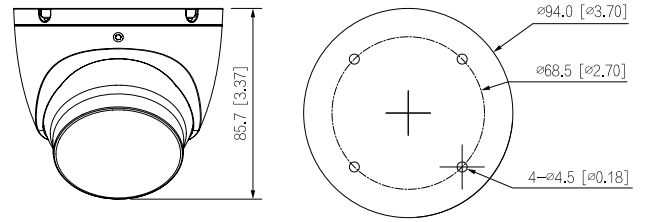
Casing Material	Metal
Product Dimensions	φ94.0 mm × 85.7 mm (φ3.70" × 3.37")
Net Weight	0.33 kg (0.73 lb)
Gross Weight	0.47 kg (1.04 lb)
Installation	Wall mount; ceiling mount; vertical pole mount

**Ordering Information**

Type	Model	Description
4K Camera	DH-HAC-HDW1801TLMP-IL-A	4K Smart Dual Light HDCVI Fixed-focal Eyeball Camera, PAL
	DH-HAC-HDW1801TLMN-IL-A	4K Smart Dual Light HDCVI Fixed-focal Eyeball Camera, NTSC
Accessories (Optional)	PFA13A-E	Junction Box
	PFB205W-E	Wall Mount Bracket
	PFA152-E	Pole Mount Bracket
	PFA106	Mount Adapter
	PFB220C	Ceiling Mount Bracket
	PFM800-4K	1 Channel Passive HDCVI Balun
	PFM321D	12VDC Power Adapter
	PFM904	Integrated Mount Tester



**Dimensions (mm [inch])**



**Accessories**

Optional:



PFA13A-E  
Junction  
Box



PFB205W-E  
Wall Mount  
Bracket



PFA152-E  
Pole Mount  
Bracket



PFA106  
Mount  
Adapter



PFB220C  
Ceiling Mount  
Bracket



PFM800-4K  
1 Channel Passive  
HDCVI Balun



PFM321D  
12VDC Power  
Adapter



PFM904  
Integrated Mount  
Tester