

DH-PFB300C

Ceiling Mount Bracket



Features

- Aesthetic design
- Material: aluminum & PC
- Ceiling mount bracket

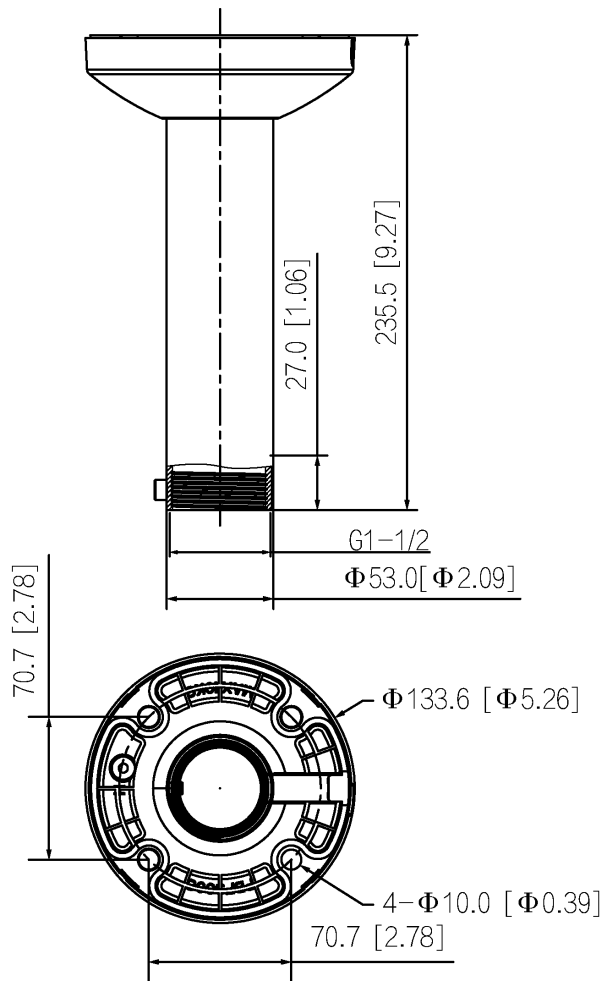
Technical Specifications

Model	DH-PFB300C
General	
Material	Aluminum & PC
Dimension	Φ133.6 mm × 235.5 mm (Φ5.26" × 9.27")
Pipe Thread	G1 1/2"
Load Bearing	7.0kg(15.43lb)
Weight	0.78kg(1.72lb)
Color	White
Operating Temperature	-40 °C to +60 °C (-40 °F to +140 °F)
Humidity	<90% RH
Applicable Model	Please see "Accessory Selection"

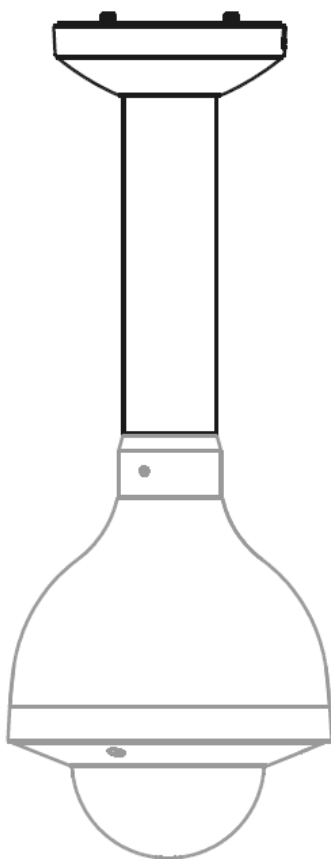
Order Information

Type	Part Number	Description
Camera Mount	DH-PFB300C	Ceiling mount bracket
	PFB300C	Ceiling mount bracket

Dimensions (mm/inch)



Application



Package Information

- Ceiling mount bracket *1