

# DHI-ITC215-PW6M-IRLZF-B

## Access ANPR Camera



- Adopts high-performance CMOS image sensor and processor for in-depth extraction and analysis of vehicle information 24/7
- Embraces deep learning algorithm for accurate recognition of vehicles without license plate, and vehicle model, vehicle logo, vehicle series, vehicle color, and more
- Various signal, data and communication interfaces; supports connecting to extra devices, such as barrier
- Built-in LED illuminator for simplified installation
- Motorized vari-focal lens, easy for installation and commissioning
- Integrated design with low power consumption, and IP67 protection grade

### System Overview

The short range access ANPR camera adopts high-performance CMOS image sensor and processor for in-depth extraction and analysis of vehicle information 24/7. In addition, it embraces deep learning algorithm for accurate recognition of vehicles without license plate, vehicle model, vehicle logo, vehicle series, vehicle color, and more. The camera is extensively applied to vehicle detection and recognition in scenarios such as parking lots, community roads, and more. The access ANPR kit is extensively applied to vehicle detection and recognition in scenarios such as parking lots, community roads, and more.

The access ANPR kit is extensively applied to vehicle detection and recognition in scenarios such as parking lots, community roads, and more.

### Functions

#### High-quality image

Industry-specific CMOS image sensor with high sensitivity, high SNR and excellent WDR provides lifelike images 24/7.

#### Impressive performance

High-performance CPU processor helps extract and analyze information of motor and non-motor vehicles in real-time, providing vehicle feature details for business decision-making.

#### High-level protection

Integrated design with low power consumption, and IP67 protection grade, suitable for various harsh environments.

#### Easy installation

Built-in LED illuminator and motorized vari-focal lens, providing ease of installation and commissioning.

### Technical Specification

#### Basic

Illuminator Number	6 IR illuminators, brightness adjustable
Image Sensor	1/2.8" CMOS
Image Resolution	1920 × 1080 (OSD black strip excluded)
Video Resolution	Main stream: 1080P (1920 × 1080)/720P (1280 × 720) Sub stream: 720P (1280 × 720)/D1 (704 × 576, 704 × 480)/CIF (352 × 288, 352 × 240)
Video Frame Rate	PAL: Main stream (1920 × 1080@25fps, 1280 × 720@25fps), sub stream (1280 × 720@25fps, 704 × 576@25fps, 352 × 288@25fps) NTSC: Main stream (1920 × 1080@30fps, 1280 × 720@30fps), sub stream (1280 × 720@30fps, 704 × 408@30fps, 352 × 240@30fps)
Bit Rate	H.264B: 32Kbps–32768Kbps H.264M: 32Kbps–32768Kbps H.264H: 32Kbps–32768Kbps H.265: 32Kbps–32768Kbps MJPEG: 512Kbps–65536Kbps
Video Compression	H.264B/H.264M/H.264H/H.265/MJPEG
Picture Encoding Format	JPEG
Noise Reduction	3DNR
White Balance	Full auto, auto color temperature range, customized color temperature
Electronic Shutter Speed	1/50–1/10000, auto or manual
WDR	96 db
Edge Enhancement	Yes
Exposure Mode	Full auto, customized auto, customized
Iris Control	Auto iris (W: 1.6–T: 3.3)

Performance

Trigger Mode	Video detection; I/O coil; video detection and I/O coil
Shutter	Single shutter
Storage	1 built-in TF card port. Supports Kingston 16G, 32G, 64G, and 128G; Dahua 16G, 32G, 64G, and 128G; SanDisk 16G, 32G, 64G, and 128G
Image Tampering Prevention	Yes. Video/picture can be checked through watermark and verification
Field of View	Horizontal: 108.1° (W)–30.3° (T); Vertical: 56.3° (W)–17.1° (T); Diagonal: 130.9° (W)–34.8° (T)
Illumination Distance	12 m (39.37 ft)
Capture Range	3 m–6 m (9.84 ft–19.69 ft)
Detected Lane Width	3 m–4 m (9.84 ft–13.12 ft)
Min Ambient Illuminance	0.002 Lux. Illuminator is designed with the camera for illumination
Max Speed that the Camera Detects	30 km/h
Alarm Event	Alarm in the case of no storage card, not enough storage space, storage card error, network disconnection, IP conflict, and illegal access
Security	Authorized username and password, MAC address binding, HTTPS encryption, IEEE 802.1x, and network access control
OSD Overlay	Supports overlay of time, address (position of channel), lane (number/direction), plate (number and color), vehicle (speed, color, type)
Automatic Network Replenishment (ANR)	Yes. Platform/FTP
Auto Registration	Yes

Intelligence

Vehicle Detection	Vehicle capture rate ≥99%
Vehicle Recognition	Supports recognizing vehicle type, vehicle logo, vehicle series, vehicle color, license plate, features of driver and front-seat passenger, and vehicle without plate. Vehicle recognition rate ≥95%
Video Metadata	Yes
Intelligent Track Frame	Intelligent frame display. Supports displaying vehicle plate and vehicle path

Port

Lens Mount	Φ14
Analog Output	1
Network	1 100/1000M Ethernet port (RJ-45)
RS-485	2
RS-232	1
Alarm Input	3, optocoupler input (on-off input)
Alarm Output	3 ports. 2-channel optocoupler output, 1-channel relay output, which can connect to devices such as barriers
Audio Input	1-channel RCA port

Audio Output	1-channel RCA port
<b>General</b>	
Power Supply	12V DC, 24V AC, PoE+
Power Consumption	<20W
Operating Temperature	–30°C to +65°C (–22°F to +149 °F)
Operating Humidity	10%RH–90%RH (no condensation)
Casing	Metal and plastic
Protection Grade	IP67
Dimensions	486.7 mm × 124.3 mm × 185.5 mm (19.16" × 4.89" × 7.30") (L × W × H)
Net Weight	1.9 kg (4.19 lb)
Gross Weight	3.3 kg (7.28 lb)
Installation	Installed with bracket
Lens	3.2 mm –10.5 mm

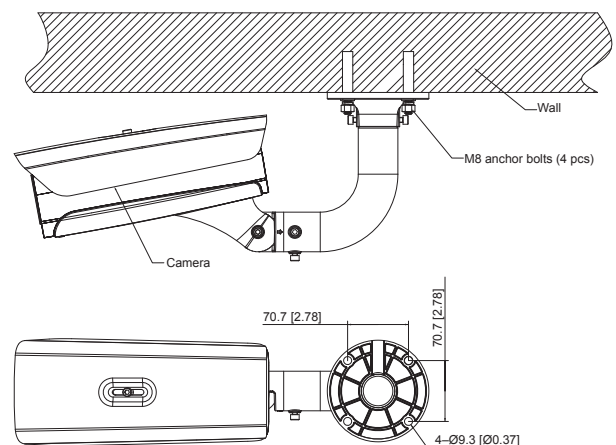
Certification

CE, FCC	Yes
RoHS	Yes

Ordering Information

Type	Model	Description
2MP Camera	DHI-ITC215-PW6M-IRLZF-B	2MP short range access ANPR camera (850nm built-in IR illuminator)

Installation



Dimensions (mm[inch])

