



TC-C38XQ Spec:I3W/E/Y/2.8mm/V4.2

8MP Fixed Color Maker Turret Camera

Pro Series



KEY FEATURES

- Metal housing
- Up to 8MP,3840×2160@20fps
- S+265/H.265/H.264B/H.264M/H.264H/Motion JPEG
- Color:0.002Lux@(F1.6,AGC ON),B/W:0Lux with IR
- IR range up to 30m
- Built-in Mic, Built-in Speaker
- Support microSD/microSDHC/microSDXC card,up to 512GB
- Support smart surveillance
- Support human/vehicle classification
- Operating conditions -40°C~65°C(-40°F~149°F), ≤95%RH
- DC12V±25%,Max. 7W, PoE:IEEE 802.3af,Max. 8.5W
- IP66

SPECIFICATIONS

| Camera | |
|----------------------|---|
| Image Sensor | 1/2.8"CMOS |
| Min. Illumination | Color:0.002Lux@(F1.6,AGC ON),B/W:0Lux with IR |
| Shutter Time | 1s~1/100000s |
| Day&Night | IR-cut filter with auto switch (ICR) |
| Smart IR | Yes |
| WDR | 120dB |
| S/N | >42dB |
| Angle Adjustment | 0~340°(P); 0~75°(T); 0~360°(R) |
| Lens | |
| Lens Type | Fixed focal lens |
| Focal Length | 2.8mm |
| Lens Mount | M12 |
| Aperture Range | F1.6 |
| Aperture Type | Fixed |
| Field of View | 105.3°(H); 56.9°(V); 119.7°(D) |
| DORI Distance | Detect:77m Observe:30.5m Recognize:15.5m Identify:7.5m |
| Illuminator | |
| IR LEDs | 2 |
| IR Distance | Up to 30m |
| Wavelength | 850nm |
| White LEDs | 2 |
| Whitelight Distance | 15m |
| Compression Standard | |
| Video Compression | S+265/H.265/H.264B/H.264M/H.264H/Motion JPEG |
| Video Bit Rate | 32k~16Mbps |
| Audio Compression | G.711A/G.711U/ADPCM_D/AAC_LC |
| Audio Sampling Rate | 8kHz/32kHz/48kHz |
| Image | |
| Max. Resolution | 8MP,3840×2160@20fps |
| Main Stream | PAL:20fps(3840×2160, 3072×2048), 25fps(2560×1440, 2304×1296, 1920×1080, 1280×720) NTSC:20fps(3840×2160, 3072×2048), 30fps(2560×1440, 2304×1296, 1920×1080, 1280×720) |
| Sub Stream | PAL:25fps(704×576, 704×288, 640×360, 352×288) NTSC:30fps(704×480, 704×240, 640×360, 352×240) |
| Third Stream | PAL:25fps(704×576, 704×288, 352×288, 640×480) NTSC:30fps(704×480, 704×240, 352×240, 640×480) |
| BLC | Yes |
| HLC | Yes |

| | |
|-----------------|---|
| 3D DNR | Yes |
| White Balance | Auto/Semi-Auto/Manual/Sunshine/Nature Light/Warmlight Lamp/Daylight Lamp/Filament Lamp/Lock White Balance |
| ROI | 8 rectangular static areas |
| Corridor Mode | Yes |
| OSD | Overlay of additional characters in 5 regions, 2 lines, with a maximum of 127 characters or 42 Chinese characters per region; 16*16/32*32/48*48/64*64/96*96 |
| Picture Overlay | 1*200x200 size BMP 24 color bit image overlay |
| Privacy Mask | 4 black static areas |
| Defog | Yes |

Feature

| | |
|--------------------------------------|--|
| General Alarm | Motion Detection; Mask Alarm; Alarm Input |
| Exceptions Alarm | Voltage Alarm; Disk Full; Disk R/W Error; IP Address Conflict; MAC Address Conflict; FTP Server Exception |
| Linkage Method | Send Email; Trigger Sound; Trigger Warmlight; Trigger Recording; Trigger Capture; Notify Surveillance Center; Alarm Output |
| Video Analytics | Human/Vehicle Classification; Tripwire; Perimeter; Video Abnormal; Audio Abnormal |
| Rules of Behavior Analyse In 1 Scene | 8 |
| Early Warning(EW) | Yes |

Network

| | |
|----------------------|--|
| ANR | Yes |
| Protocols | HTTP; HTTPS; TCP/IP; UDP; UPnP; ICMP; IGMP; SNMP v1\v2\v3; DHCP; DNS; DDNS; Easy DDNS; NTP; SMTP; TLS v1.2; SSL; 802.1X; QoS; IPv4; IPv6; PPPoE; SSH; Unicast; Multicast; RTCP; ARP; SRTP; FTP; SFTP |
| System Compatibility | ONVIF(Profile S/T/G/M) ; SDK; CGI; Milestone; RTSP; RTMP |
| Remote Connection | ≤7 |
| Client | Easy7 VMS |
| Moblle Client | EasyLive Plus |
| Web | IE10+; Firefox52+; Edge89+; Safari11+; Chrome57+ |

Interface

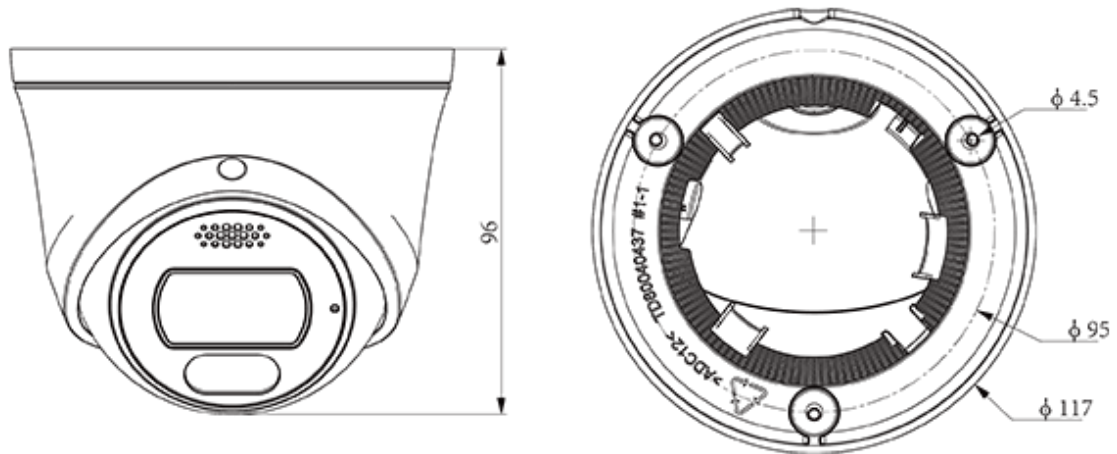
| | |
|-------------------------|---|
| Communication Interface | 1*RJ-45 (10/100 Base-T) |
| Audio I/O | 1; 1 |
| Alarm I/O | 1-ch,TTL input,3mA,3.3VDC; 1-ch,TTL output,30mA,12VDC |
| Built-in Mic | Yes |
| Built-in Speaker | Yes |
| On-board Storage | Support microSD/microSDHC/microSDXC card,up to 512GB |
| RTC | Yes |

General

| | |
|-----------------------|--|
| Web Client Language | 19 languages Simple Chinese/Traditional Chinese/English/Spanish/Korean/Italian/Turkish/Russian/Thai/French/Polish/Dutch/Hebrew/Arabic/Vietnamese/German/Ukrainian/Portuguese/Albanian |
| Operating Temperature | -40°C~65°C(-40°F~149°F) |

| | |
|---------------------|---|
| Operating Humidity | ≤95%RH |
| Storage Temperature | -40°C~65°C(-40°F~149°F) |
| Storage Humidity | 10%~95%RH(non-condensing) |
| Power Supply | DC12V±25%,Max. 7W; PoE:IEEE 802.3af,Max. 8.5W |
| Protection | Surge4000V; ESD6000V; IP66 |
| Boundary Dimensions | 117(L)117(W)96(H)mm |
| Package Dimensions | 140(L)140(W)120(H)mm |
| GrossWeight | 0.75kg |

DIMENSIONS (Unit: mm)



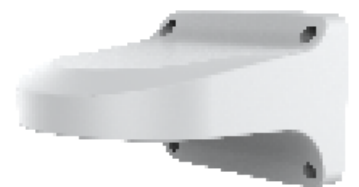
Assembly diagram of Junction Box



TC-P54BM Spec:V5



A36



A29